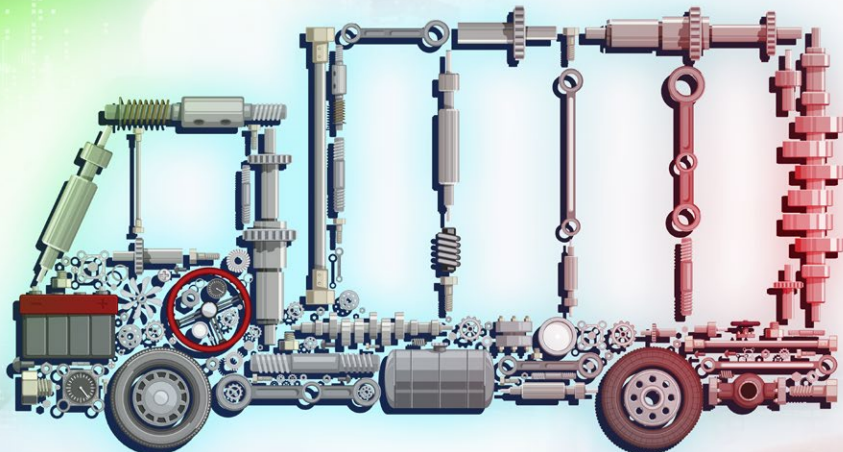


+0.708% -00.0675473 7297689
+1.467% -00.765403 7297689
+1.397% -00.765403 7297689
+0.708% -00.765403 7297689
+1.467% -00.765403 7297689
-1.367% -00.765403 7297689
+0.208% -00.765403 7297689
+1.467% -00.765403 7297689
+3.397% -00.765403 7297689
+0.708% -00.765403 7297689
-1.467% -00.765403 7297689



ITALY @ IAA 2022

CATALOGUE OF THE EXHIBITORS

20. – 25. SEPTEMBER 2022 | HANNOVER GERMANY | HALL 26 • BOOTH: C52



Ministry of Foreign Affairs
and International Cooperation



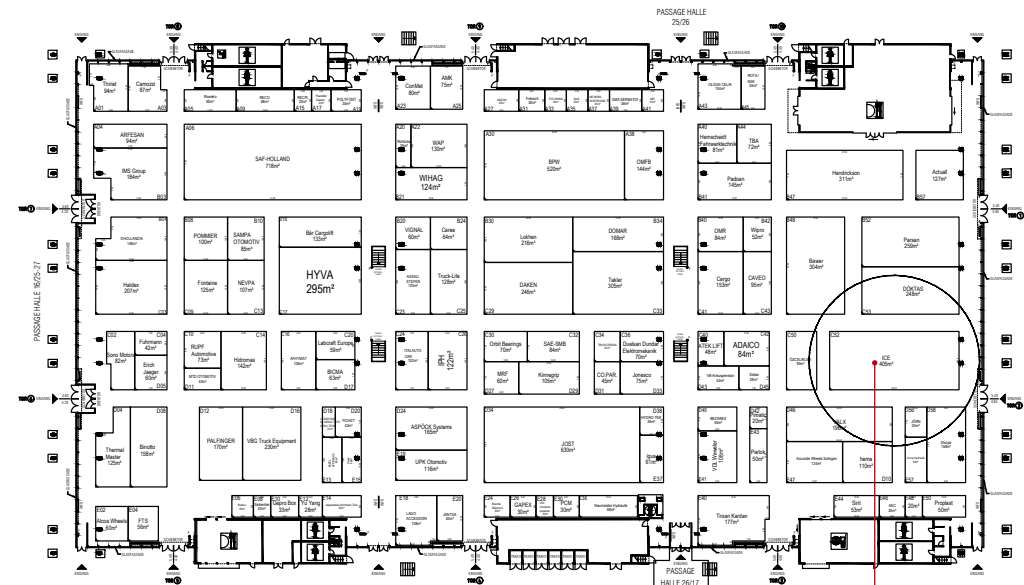
CATALOGUE OF THE ITALIAN EXHIBITORS HALL 26 | BOOTH: C52

ICE – Italienische Agentur für Außenhandel	04
ANFIA Service Srl	05
2A SpA	06
A.Agrati S.p.A.con Unico Socio	07
Albelissa Engineering & Technical Recruiting	08
BLUE ENGINEERING SRL	09
C.M.D. Costruzioni Motori Diesel SPA	10
DELGROSSO S.R.L.	11
Erre Ti snc di Tucci Francesco & C.	12
Esi Italia srl	13
Flexin bulk Italia srl	14
Fluid-o-Tech S.r.l.	15
GART Srl	16
GERVASI ECOLOGICA SRL	17
Imballaggi Protettivi srl	18
InjectionPower Srl	19
MAFLOW BRS s.r.l.	20
MSA DAMPER	21
NGV Powertrain Srl - Italtecnica Srl	22
OFFICINE MECCANICHE RICCI SNC	23
PRIMOTECS SPA	24
SERMEC SNC	25
SIGIT SPA	26
SKEBA SRL	27
T.S.T. S.R.L.	28
Tai Prora srl	29
Vimi Fasteners S.p.A.	30

EXHIBITION GROUNDS PLAN BREMEN TRADE FAIR CENTRE



Ministry of Foreign Affairs
and International Cooperation



Hall 26 | Booth: C52



TRADE AND INVESTMENT OPEN DOORS TO A WORLD OF OPPORTUNITIES

HEADQUARTER:

ICE – Agenzia per la promozione
all'estero e l'internazionalizzazione delle
imprese italiane
Via Liszt, 21
00144 Roma, Italy
Tel: +39 06 59921
startupeinnovazione@ice.it

BERLIN OFFICE:

ICE – Italienische Agentur für Außenhandel
Schlüterstraße 39
10629 Berlin, Germany
Tel: +49 30 884 40 30
berlino@ice.it
www.ice.it/en/markets/germany

The ICE – Italian Trade Agency is the Italian government organization working to develop, facilitate and promote economic and commercial relationships abroad and marketing Italian goods and services internationally. It further promotes the “Made in Italy” image around the world and Italy itself as a destination for foreign investment.

The ICE – Italian Trade Agency operates under the authority and supervision of the Ministry of Foreign Affairs and International Cooperation (MAECI). Through its international presence, alongside the Italian diplomatic network, the ICE – Italian Trade Agency works together with business organizations and other public and private entities to offer coordinated support for businesses and Italian organizations involved in the globalization process.

From its Rome headquarters, with offices in Milan and around the world, the ICE – Italian Trade Agency provides information, assistance and promotion services to businesses and institutions, encouraging cooperation within the industrial, agricultural and agrifood sectors, distribution and tertiary businesses, to expand the presence of Italian companies on international markets. In order to support the Italian industrial and foundry sector the ICE – Italian Trade Agency offers a wide range of initiatives worldwide, such as participation in trade fairs, presentations and bilateral workshops.

In Germany the ICE – Berlin office organizes many promotional events with Italian regions, provinces, manufacturers associations, chambers of commerce, private companies and collective pavilions in international trade fairs such as Euroguss and GIFA.

Italian Trade Agency

@ITAttradeagency

www.ice.it

ITA – Italian Trade Agency

@itatradeagency

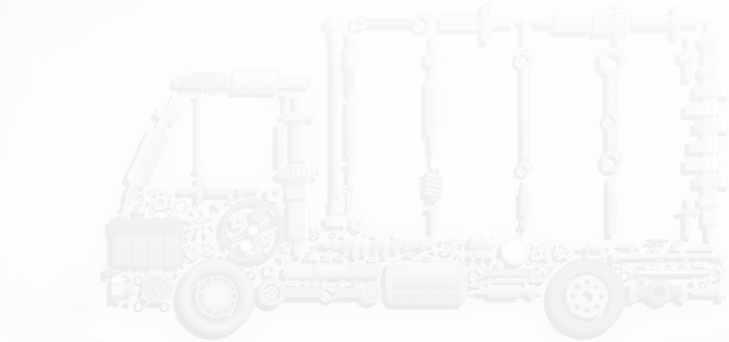


ANFIA SERVICE SRL

Corso Galileo Ferraris 61, 10128 Torino
Contact: Selene Migliaccio
Tel: 338 880 0932
Email: anfia@anfiam.it
www.anfia.it



Born in March 1912, over these one hundred years, ANFIA mission has always been to represent the interests of its associate members and ensure effective communication between the Italian motor vehicle industries on the one hand, and the Public Administration and Italian political bodies on the other, with regard to all technical, economic, fiscal, legal, statistical and quality-related issues referred to the automotive sector. The Association is structured in three product-based Groups, each one chaired by a President. Components: motor vehicle parts and components manufacturers; Car Design and Engineering: companies working in the sector of design, engineering and style of motor vehicles and/or parts and components for the automotive sector; Motor vehicles: motor vehicles manufacturers in general, including trucks, trailers, camper vans, special means of transport.



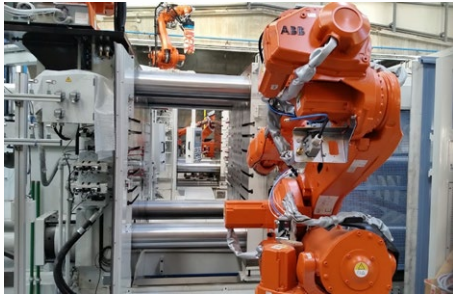
Inhalte fehlen



2A SPA

Via Asti 67b, 10126 Santena
Contact: Biagio Forte
Tel: 0119496111
Email: fonderie2a@2aspa.com
www.fonderie2a.com

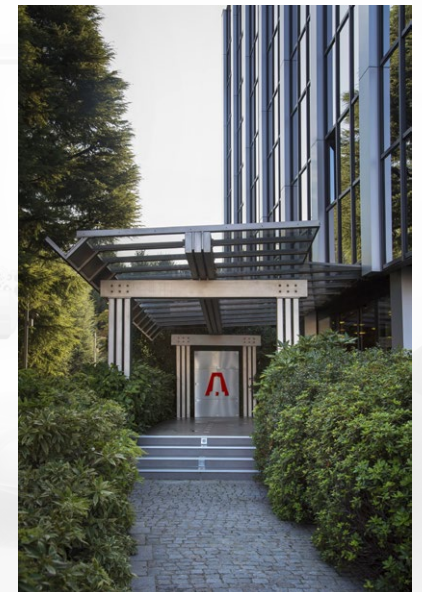
2A is a worldwide group leader in the Aluminum HPDC oriented and specialized in the development and production of components from few grams up to the biggest in the market produced with several machines of 4.500 tons. A strong R&D Center, thanks to the multiple patterns registered, allows to propose innovative alloys for structural application and innovative processes. 2A is a complete first tier supplier, capable of supplying components also machined, painted and tested.



A.AGRATI S.P.A.CON UNICO SOCIO

Via Piave 28/30, 20837 Veduggio con Colzano
Contact: Ilaria Piatti
Tel: 335 698 7372
Email: info@agrati.com
www.agrati.com

Agrati is worldwide leader in fastener solutions and components for the automotive sector with 12 production plants, 15 Sales & Application Offices, 5 logistics centres, more than 2.200 employees and a turnover of 548 M€ in 2021. Agrati boasts 4 Agrati Tech Centres with cutting edge laboratory equipment services of engineering, co-design, testing & prototyping. Every year Agrati purchases over 170.000 tons of steel, develops 850 new products, invests 8% in innovation and technology and produces 8 billion parts in order to assemble over 60 million cars worldwide.





**ALBELISSA ENGINEERING &
TECHNICAL RECRUITING**

Via Rivoli 14, 10090 Torino

Contact: Luca Leone

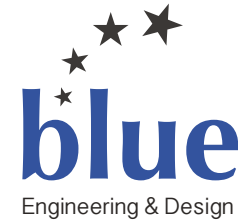
Tel: 3486005641

Email: luca.leone@albelissa.com

www.albelissa.com/en



Albelissa delivers just-in-time engineering, industry specific technical recruitment and staffing, and outsourcing of business processes (IT, recruitment, accounting and finance). We provide clients the human resources, tools and solutions needed through direct hire, our partners and consultants for immediate workforce and project needs. Our strategic and innovative solutions provide companies immediate solutions to highly competitive industries and rapid changing environments.



BLUE ENGINEERING SRL

Via Albenga 98, 10098 Torino

Contact: Marco Eid

Tel: 3756684894

Email: info@blue-group.it

www.blue-group.it



BLUE Group Engineering & Design, founded in 1993, provides specific services to fields of excellence, such as automotive, railway, aerospace. The strong multi-sector know-how and the singular specialization in numerical analysis distinguish us on the market and permit us to give you, at the highest quality level, during all the development stages: concept & styling, design, engineering, virtual prototyping simulation, testing validating and ICT. BLUE Engineering constantly moves beyond technological and geographical frontiers. Our qualitative and extensive development is due to this vision. We work with major industrial customers looking toward new markets. We offer a complete "turn-key" service, including professional education to transfer our competencies to the local staff. Our main office is in Turin, Italian car design hometown, 2008 World Design Capital. Subsidiaries are located in Naples and Modena (Italy).





C.M.D. COSTRUZIONI MOTORI DIESEL SPA

Nucleo industriale - Valle di Vitalba SNC,
85020 Atella
Contact: Angela Ferraro
Tel: 3486523401
Email: info@cmdengine.com
www.cmdengine.com



For over 30 years CMD (Costruzioni Motori Diesel SPA) has been involved in design, prototyping and development of engines and solutions for automotive, marine and aeronautical fields. C.M.D. SpA Costruzioni Motori Diesel designs and manufactures engines and innovative solutions for the automotive, nautical, aeronautical and Circular Economy industries. Formely known as FNM, it was found in 1971 by Negri family. In 1989 became CMD Safety, innovation, reliability and customization are the 4 most important qualities for describing our company and our products. Our business core is developed through 5 divisions: Avio, Machining, Energy, Electronic, Marine.



DELGROSSO S.R.L.

Via Calatafimi 51, 10042 Nichelino
Contact: Ivano Nicastro
Tel: 3357684638
Email: clean@clean.it
www.clean.it



Delgrosso Company: Product and service quality, values create value. The first production plants were born in 1951, with the aim of manufacturing parts in the automotive sector. Thanks to the expertise of its staff, the products are still fully designed in Italy today. The Clean Filters® brand was born in 1975 with the aim of supplying the Italian and foreign aftermarket market. Delgrosso is a supplier of the most prestigious European manufacturers in the automotive and industrial sectors. The utmost attention is dedicated to quality, research and development of new technological solutions. This result can be achieved thanks to the internal presence of modern laboratories.



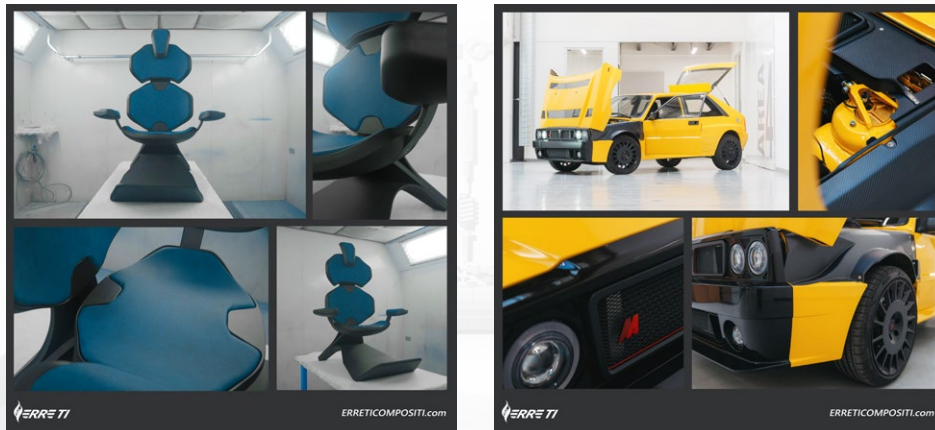


ERRE TI SNC DI TUCCI FRANCESCO & C.

Via della Masolina 5, 10040 Piobesi Torinese
Contact: Raffaele Tucci
Tel: 3319291444
Email: info@erreticompositi.com
www.erreticompositi.com



Erre Ti is specialised in composite solutions, prototyping and manufacturing. Through modern technologies, advanced equipment and professional expertise the company is able to provide a full spectrum of services for development of advanced composites. Erre Ti has been working in the transportation sector for over 20 years, helping prominent brands in developing cutting-edge vehicles, limited series and customized products. From prototypes to limited series, we develop complex products with a high-tech value destined to different industrial fields. Cooperation is the basis of our business: we work side by side with the client to achieve the most cost-effective product. Optimisation of the entire production, 360° support and full in-house services are guaranteed when working with Erre Ti.



ESI ITALIA SRL

Strada fornacino 152, 10040 Leini
Contact: Morano Dario
Tel: 3476182942
Email: info@esitalia.net
www.topdrivesystem.it



Founded in 1991 to reduce dynamic overloads on vehicles loaded to their maximum capacity, it has evolved over the years becoming an important aid for all transport vehicles. The TOP DRIVE SYSTEM is not only easy to install, as all the kits are supplied with step by step instructions, but it is characterized by high durability and requires reduced maintenance. Moreover, complete sets of spare parts are available that make repair simple, without the need for any specific training to intervene. TOP DRIVE SYSTEM offers perfect integration with the vehicle, as each kit is specifically designed for each vehicle variant, offers a wide margin of regulation and rigidity of the adjustable suspension. Furthermore, TOP DRIVE SYSTEM guarantees design and rapid prototyping for new products, guaranteeing a service that is always in step with the customer's needs.





FLEXIN BULK ITALIA SRL

Via B.Castelli, 25024 Leno
Contact: Beldrighi Graziano
Tel: 3345711300
Email: info@flexinbulk.eu
www.flexinbulk.eu



Patented FleXin bulk equipment is formed by 4 collapsible units placed under the floor that can be opened in less than 10 minutes



Fluid-o-Tech
POWER THE FLOW

FLUID-O-TECH S.R.L.

Via Leonardo da Vinci 40, 20094 Corsico
Contact: Sabrina Michielini
Tel: 0299950310
Email: info@fluidotech.it
www.fluidotech.it



Fluid-o-Tech has more than 70 years in fluidics and significant experience in the automotive, particularly on emission control systems. Energy transition brings new challenges and hence new opportunities. Battery cooling system's performance is crucial for BEV, HEV, PHEV, and FCEV vehicles, a proper design of the cooling system can provide real answers to key challenges. On this purpose Fluid-o-Tech developed a specific volumetric pump to satisfy the growing demand of efficiency increase, power consumption and noise decrease. Autonomous vehicles will make large use of sensors and cameras, radar and Lidar capabilities, to safely operate the vehicle; at Fluid-o-Tech we designed specific high pressure solution to satisfy the new demanding performances. The future of the EV fast charging stations will require high efficiency liquid cooling, Fluid-o-Tech has developed a state of the art solution for this. With its state-of-the-art facilities and a global engineering team, Fluid-o-Tech is today the trusted partner for OEMs for pumps, electronic valves, sensors and innovative fluid management systems, worldwide.





GART SRL

Via San Benedetto 95, 36050 Bressanvido
Contact: Jacopo Francesco Rizzardi
Tel: 3923532361
Email: export@gart.biz
www.gart.biz



Since the beginning of the 1900 s, the Artuso family has dealt with rubber processing, initially focusing on products other than today's ones, namely bicycle tires shoe soles and technical rubber items. Gart was founded in 1983 after the family decided to focus on technical rubber products and, in particular, air springs. In the last 15 years Gart focused more and more on expanding and following the automotive spare parts market, reaching a range of over 500 items. The entire production is located in Bressanvido in Vicenza district , and has always been a distinctive feature of the various competitors on the market.



GERVASI ECOLOGICA SRL

Via Circonvallazione 9, 10060 Buriasco
Contact: Benedetta Reale
Tel: 0119866222
Email: info@gervasiecologica.com
www.gervasiecologica.com



Gervasi Ecologica is the Italian manufacturer of steel semitrailers for scrap and waste materials. The production, based near Turin, is conceived to provide recycling and transport companies with strong and reliable semitrailers, made-to-measure for their specific needs. Gervasi Ecologica trailers are on the road in most of European countries, where they are easily registered thanks to their European Type approval. Among flagship models, the semitrailers with crane on chassis are particularly successful because they enable the materials loading autonomously anywhere. Then, Maxi Tiger stands out for its large volume up to 86 m3 and its exclusive tipping system with two lateral cylinders. Skyler is the moving floor semitrailer, able to combine horizontal unloading with the sturdiness of steel building.



- Hersteller von Sattelkippern und Schubbodenauflegern 100% Stahl
- Manufacturing of tipper and moving floor semi-trailers 100% steel
- Produzione di semirimorchi ribaltabili e a piano mobile 100% acciaio

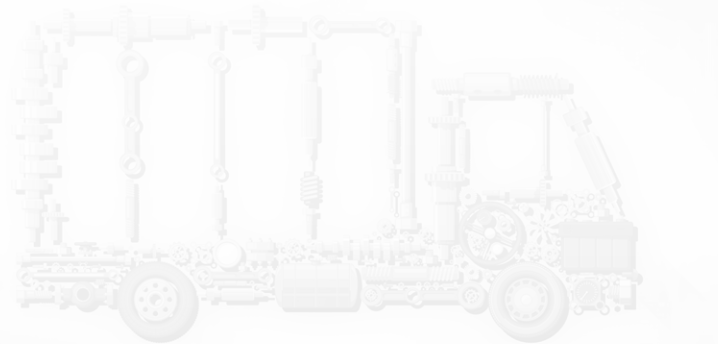


IMBALLAGGI PROTETTIVI SRL

Via delle Industrie 6, 26815 Massalengo
 Contact: Angelo Iozzolino
 Tel: 3667781876
 Email: info@imballaggiprotettivi.it
 www.imballaggiprotettivi.it



Imballaggi Protettivi is an Italian company that has been processing polypropylene since 1994 and has now become the European leader in the production of honeycomb sheets for different markets and applications. IP is constantly involved in developing new applications and while looking for different solutions in the various industries in which it operates (industrial packaging, automotive interiors, visual communication, building and general purpose), by leveraging the availability of sophisticated, technologically cutting-edge machinery, and capitalising on customer loyalty.



Inhalte fehlen



INJECTIONPOWER SRL

Via Industriale 16, 25027 Quinzano d'Oglio
 Contact: Massimiliano Gandini
 Tel: 3488058880
 Email: info@injectionpower.com
 www.injectionpower.com



DO YOU OWN A DIESEL CAR, TRACTOR, EXCAVATOR, BOAT OR TRUCK? Your vehicle probably needs regular fuel injection repairs to keep it running smoothly. That's why a lot of diesel centers invested in tools and technology: to help keep your diesel fuel injection system running like new, which saves you money on power and consumption. The last thing you want is for something to go wrong with the fuel injection system and to leave you stranded on the side of the road. Diesel Service centers know how to fix that. In fact, they have been repairing diesel fuel injection systems for years, using Marbed 1st class tools and innovative Deteq test equipment to keep your racing vehicle at peak performance. Our tools and test equipment are second to none, which is why for more than 30 years, we have been supplying Diesel Fuel Injection Specialists around the world with MARBED specialty diesel fire testing tools and innovative DETEQ, al end of diagnostics, repair and adjust the components fuel injection diesel.





MAFLOW BRS S.R.L.

Via Mutilati del Lavoro - Zona Ind.le Campolungo,
63100 Ascoli Piceno
Contact: Daniela Marinelli
Tel: 3492149185
Email: daniela.marinelli@maflow.com
www.maflow.com

Maflow is one of the largest manufacturers of Fluid Handling Systems hose and hose assemblies for the passenger car and truck OEM industry. Our product range includes hose and hose assemblies for Air conditioning as well as oil, water and air applications. Our global customers are: Volkswagen, Renault, Nissan, Jaguar, PSA, Volvo Car, BMW, Stellantis and truck manufacturers such as Volvo GTT and Scania. Maflow BRS s.r.l. is the Rubber Division, specialized in the production of flexible rubber connections for fluids and gases transportation in all car systems. To meet growing demands and expectations of the automotive market, we guarantee our customers the highest quality of rubber products within the scope of A/C and cooling systems, brake, fuel, power steering and active suspension systems.



MSA DAMPER

Via Learco Guerra 18, 14100 Asti
Contact: Liliana Smimmo
Tel: 3495707714
Email: liliana.smimmo@msadamper.com
www.msadamper.com



MSA DAMPER s.r.l. was founded in 2019 by a group of investors which acquired the know-how and plant from the bankruptcy of MSA S.p.A., maintaining the production, logistics and operational base in Asti-Italy. Considering the good results obtained in the first months, in 2021 the property decides to move the company to a new and more functional plant, buying and creating its own new "home" from scratch. It took only eight months to be fully operational: the new systems have been developed with the latest technologies, a complete reorganization of company flows and a new painting system will allow the company to be in line with the customers' requests and to be able to guarantee quality and flexibility. Even a shock absorber makes a difference! Any spare part must be designed and built exactly to the specifications of the original equipment, because only those who designed and built it can give you the right part. Genuine parts are the part that keeps your vehicle's value and strength intact. As established by the European Regulations, our company certifies that the articles placed on the market with the MSA DAMPER brand correspond, in quality, duration, functionality and technical characteristics, to the original spare parts used for assembling the vehicle.





NGV POWERTRAIN SRL - ITALTECNICA SRL

Via Roald Amundsen 1, 42122 Reggio Emilia
Contact: Mohammad Nategh
Tel: 3357828194
Email: info@ngvpowertrain.com
www.italteccatuning.com



NGV Powertrain is an innovative startup and a global player in the development, manufacturing, sales and servicing of low-to-zero emission power systems solutions based on alternative-fuels: natural gas, biofuels, e-fuels (including hydrogen). Through breakthrough technologies and operating model, our mission is to decarbonize the hard-to-abate sectors of mobility and power generation: on-road (trucks, vans, buses, specialty vehicles) and non-road (railway, marine, agricultural, construction, distributed energy generation) applications. We offer new powertrains for vehicle/machinery OEMs and repowering/retrofit solutions for transport companies, fleet owners, and professional operators.

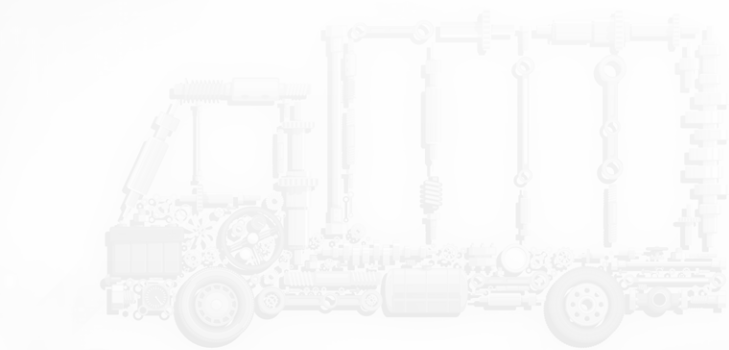


OFFICINE MECCANICHE RICCI SNC

Via Ruscelli 37, 47021 Bagno di Romagna
Contact: Giovanni Ricci
Tel: 3459026068
Email: info.ricci@riccigroup.com
www.ricci-industries.com



The expertise and experience of OFFICINE RICCI technicians are the result of 125 years of history, handed down from generation to generation. The family company was founded in 1896, developing year after year to become a mechanical workshop for cars and heavy commercial vehicles, now partners of the major brands in the sector.



Inhalte fehlen

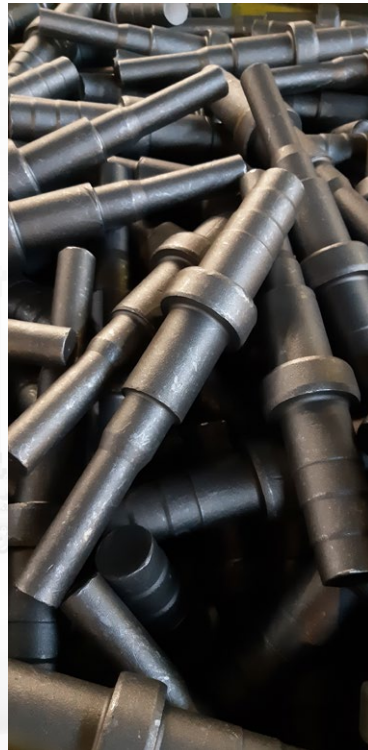


PRIMOTECs SPA

Via Martin Luther King 6, 10051 Avigliana
Contact: Andrea Salomone
Tel: 3476382695
Email: andrea.salomone@primotecs.com
www.primotecs.com



Forging steel -solutions for mobility including e-mobility co-designed and manufactured by PrimoTECS Group

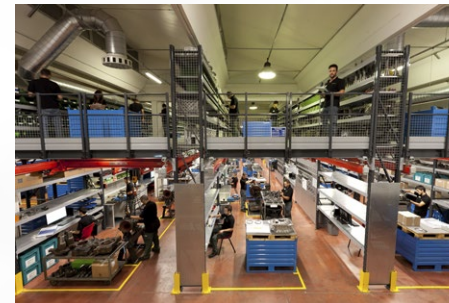


SERMEC SNC

Via del Molino 26, 47021 Bagno di Romagna
Contact: Giovanni Ricci
Tel: 3459026068
Email: info.sermec@riccigroup.com
www.sermec.com



The expertise and experience of SERMEC technicians are the result of 125 years of history, handed down from generation to generation. The family company was founded in 1896, developing year after year to become a mechanical workshop for cars and heavy commercial vehicles, now partners of the major brands in the sector. SERMEC, a Ricci Industries Company, soon became an international benchmark for remanufacturing. It is now a strategic partner for Powertrain, Driveline and Chassis Technology for industrial vehicles, with remanufactured manual, automated and automatic gearboxes, differential and rear axles, steering systems, retarders and braking devices, control units (CPU).





SIGIT SPA

Via Citernese 108, 06016 Perugia
Contact: Pierangelo Decisi
Tel: 3355686049
Email: info@sigit.it
www.sigit.it



SIGIT, established 1966 is one of the industrial division of SOAG (Sigit Oman Automotive Group), a multinational manufacturer mainly focused on Automotive and Appliance components. Group management is in Ticino, Switzerland, the group technical centre located in Turin (Italy). Thermo-plastic injection moulding, rubber thermoset injection moulding and aluminium die casting are the main production technologies. SIGIT produces interior, exteriors and functional components for the main automotive OEM in EMEA and with production delivered in NAFTA and LATAM market. SIGIT has 13 production facilities, 3 technical centres, an average of 350 new products/year in production and a dynamic Engineering and Design research team.



SKEBA SRL

Via Papa Giovanni XXIII 3, 42016 Guastalla
Contact: Maurizio Puviani
Tel: 3495085088
Email: info@skeba-srl.it
www.skeba-srl.it



SKEBA SRL is the manufacturer of the patented product with a registered trademark, SKELETIME. SKELETIME, offers to those who practice the production or maintenance of products, vehicles or other, a high quality and performance of SANDING MACHINE. The SKELETIME patent is an innovative precision holder for abrasives that replaces manual labor of workers, reduces time by more than 50%, improves surface quality, enables even beginners to perform well, reduces dust in the workplace, the consumption of abrasive materials / consumables and much more that is described on the website www.skeba-srl.it



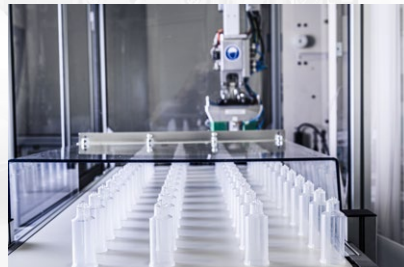


T.S.T. S.R.L.

Via Venezia 34S, 10088 Torino
Contact: Umberto Barella
Tel: 3495787056
Email: ubarella@tstgroup.it
www.tstgroup.it



T.S.T. Plastics Technologies provides innovative solutions in the Automotive, Medical & Industrial commodity for several consumers (start-up, tier 1 and OEM) who want to get a unique support for technical plastic components. Our company hold up customers promoting a complete service, from the co-design – moving to the mold-making – up to the injection molding, always committing ourselves to provide the highest trade-off in terms of quality, products and prices. Main services: - Co-design & engineering: to develop a new product concept providing a strong technical know-how mixed with a "customer oriented" service; - Mold making: construction of 1k-2k-3k injection molds (mono-injection, bi-injection and tri-injection); - Production: Automotive, Medical & Industrial 1k-2k thermoplastic products; - Assembly & Finitures: ultrasonic welding, painting/ chrome, pad and screen printing, laser printing, testing.



TAI PRORA SRL

Via Aterno 34, 66020 San Giovanni Teatino
Contact: Stefano Giannascoli
Tel: 3486639882
Email: sgiannascoli@taiprora.it
www.taiprora.it/en



Taiprora is an Italian company operating all over the world in the field of software engineering and automation. Since 1993 we have been creating integrated systems for production, internal logistics and data management. Our services aim to develop the digital factory with:

1. Smart manufacturing: • Special Machines and Motion Control • SCADA, MES and HVAC systems • Assembly stations and quality control systems.
2. Intralogistics: • Palletizing systems • LGV (laser guided vehicles) and AIV (intelligent autonomous vehicles) • WMS (Warehouse Management Systems)
3. Digitization: • Data Warehouse • Research and development • Artificial intelligence





VIMI FASTENERS S.P.A.

Via Arturo Labriola 19, 42017 Novellara
Contact: Thomas Boecker
Tel: 0522655611
Email: giorgia.gandolfi@vimifasteners.com
www.vimifasteners.com



Vimi Fasteners is a leading supplier in the design and manufacture of specialized mechanical fasteners that offers high-performance, precision-based technologies to an extensive network of innovative global OEM customers. We dedicate ourselves as a trusted source for the co-design and implementation of specialized product solutions that satisfy even the most stringent of application requirements for our many valued customers. We continually deploy advanced technologies and evolve our management methods to strengthen our competitiveness within an ever-evolving marketplace. We strive forth with a commitment to excellence by demonstrating proven product solutions as well as continuous improvement efforts achieved though quality control and superior customer service levels. We pride ourselves as a reliable partner for our customers throughout all stages of research and development as we help to build the foundation of a business relationship that is based on trust and reliability—a relationship that continually grows and renews itself through each successful project. Vimi Fasteners effectively services multiple global-based OEM industries with a comprehensive footprint in Europe, USA, and China.



NOTES

Lined area for taking notes, featuring a faint background image of a truck chassis.

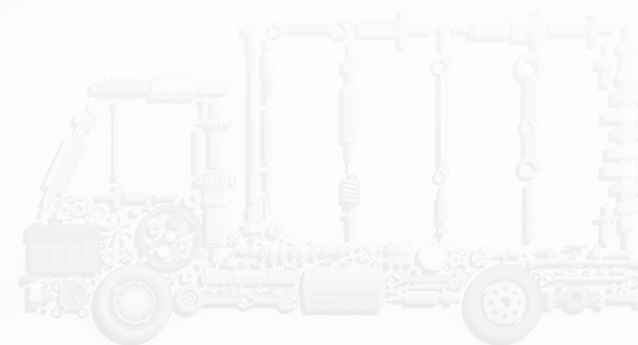
NOTES



NOTES



NOTES





ROME HEADQUARTERS

ICE - Agenzia per la promozione all'estero
e l'internazionalizzazione delle imprese italiane
Via Liszt, 21, 00144 Roma
Tel: +39 06 59921
startupeinnovazione@ice.it

BERLIN OFFICE

ICE - Italienische Agentur
für Außenhandel
Schlüterstraße 39, 10629 Berlin
Tel: +49 30 884 40 30
berlino@ice.it

www.ice.it

